

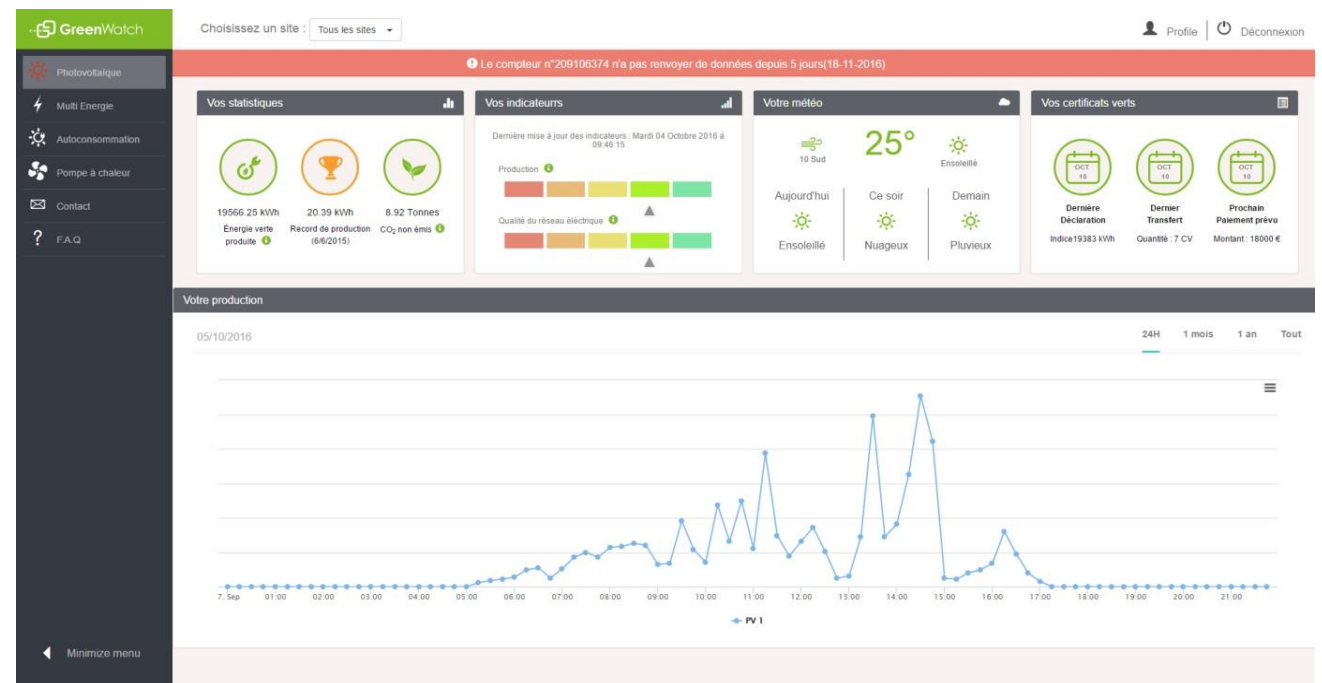
# Active demand-side management

GAC project

Thomas Geury

23-10-2018

- PV monitoring of 6.000 residential clients
- Multi-energy monitoring
- After-sale service
- Experience since 2009
- Offer and demand flexibility
- Remote load optimization



Control of PV  
inverters

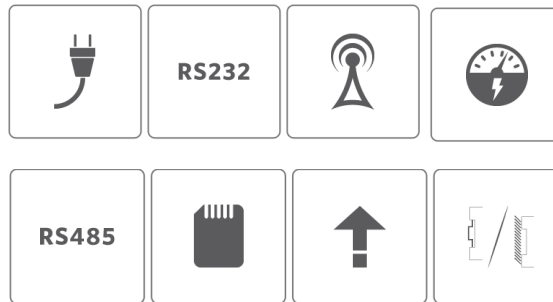
PV predictions



# Offer and demand flexibility



**GATEWAY**  
GWio



- Monitoring
- Smart load control

## ICT platform



- Evaluation, prediction, activation and monitoring of offer & demand flexibility
- Market interaction

Control of  
residential loads



# Active demand-side management



Control of local loads – communication & algorithms



Hardware implementation – communication



ICT architecture – communication with the market



Distribution grid data – regulatory aspects



Sociological study – user interface/acceptance



*May 2017 – July 2020*

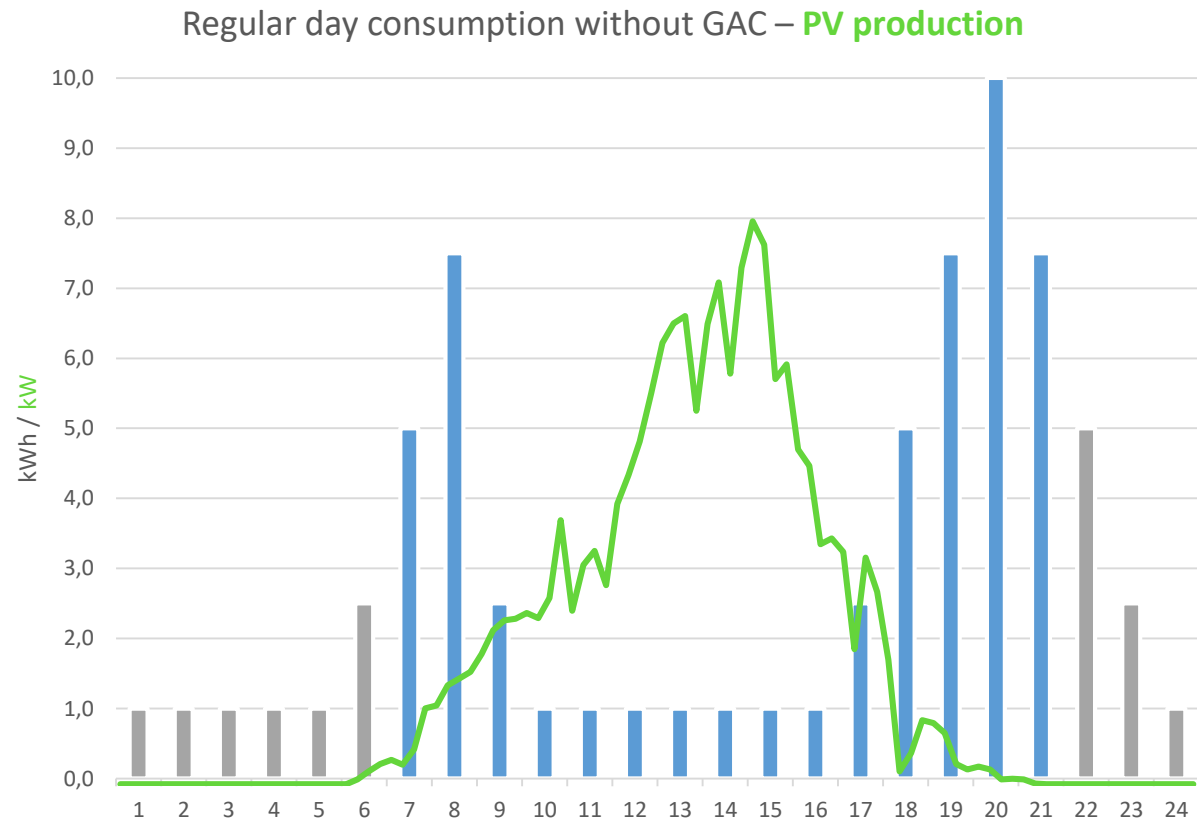
**Valorization** of flexibility :

**Individual** : prosumers

- Self-consumption optimization

**Collective** : neighborhood

- Self-consumption optimization (peer-to-peer)





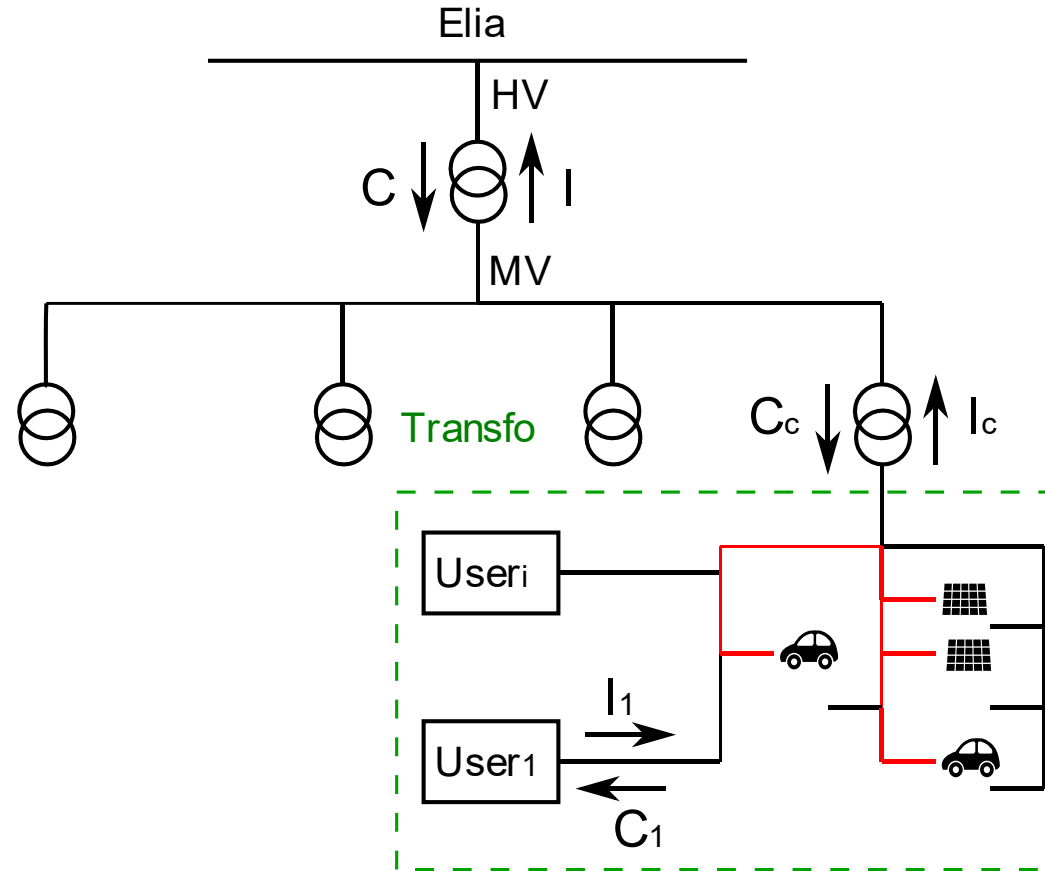
**Valorization** of flexibility :

**Individual** : prosumers

- Self-consumption optimization

**Collective** : neighborhood

- Self-consumption optimization (peer-to-peer)

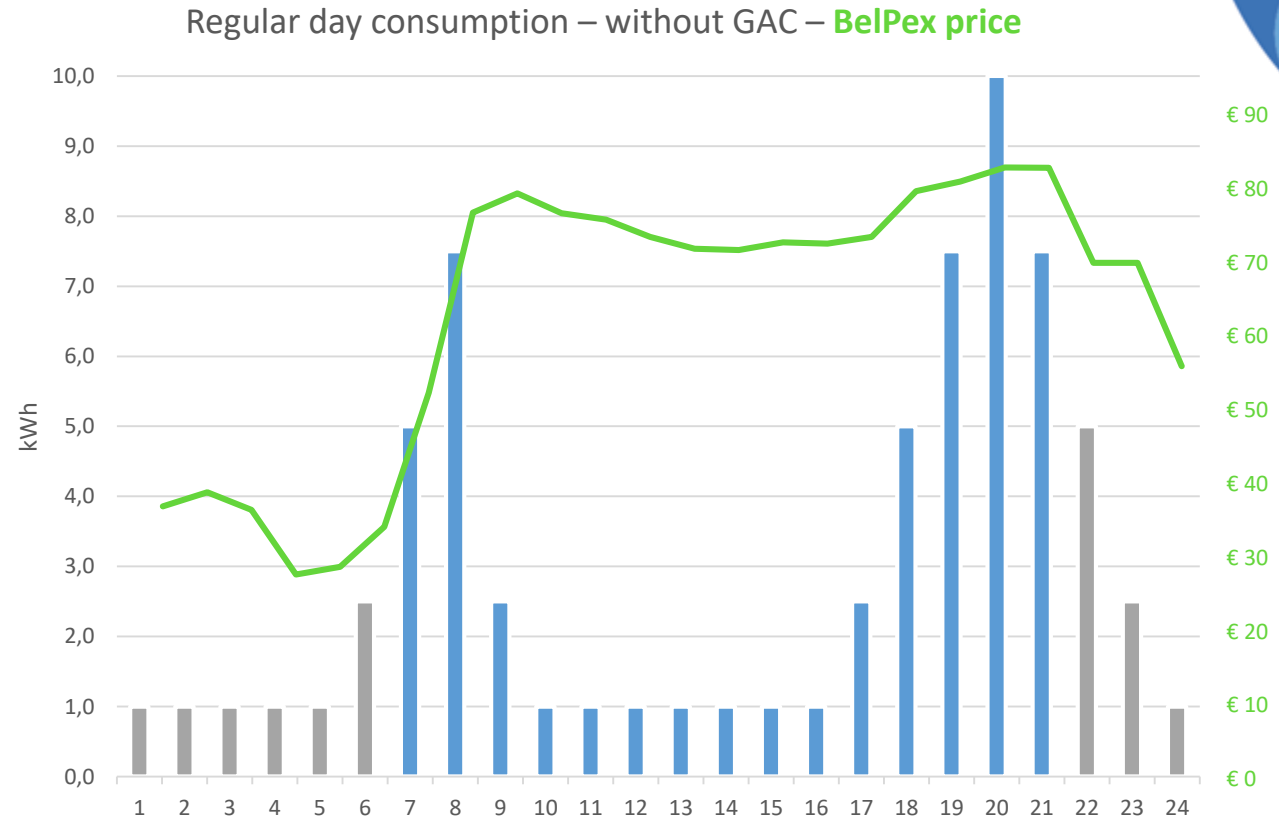




**Valorization** of flexibility :

**Individual** : tariff incentives

- Dynamic pricing
- Peak pricing
- Pricing periods



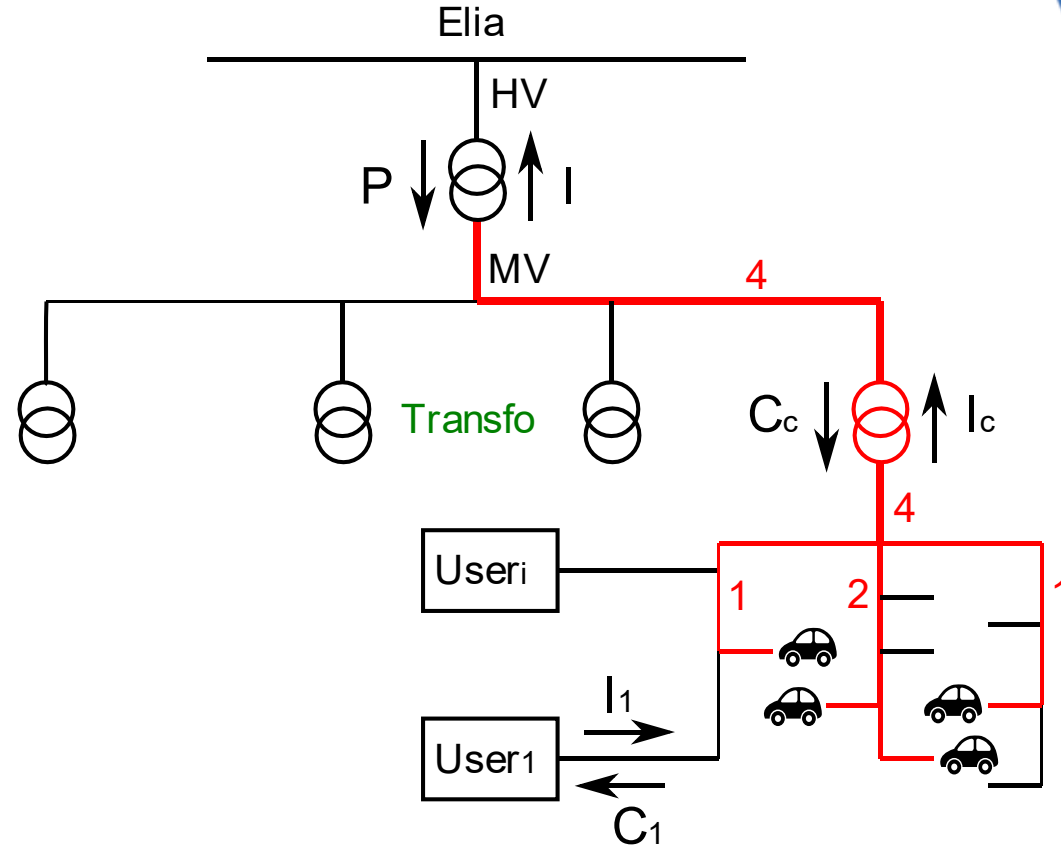
**Valorization** of flexibility :

**Individual** : tariff incentives

- Dynamic pricing
- Peak pricing
- Pricing periods

**Collective** : neighborhood

- Flexibility to the DSO
- Flexibility market





# Project implementation

- Neighborhood with 50 houses controled
- DSO is partner of the project
- Preliminary results (+10 years)

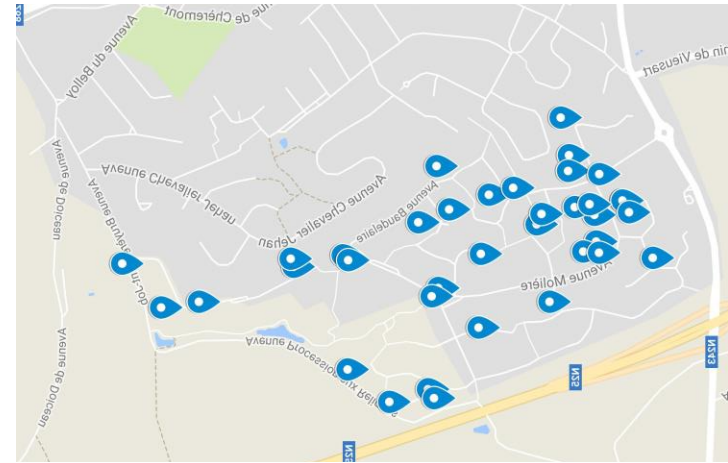
*Increase in self-consumption*

✓ Neighborhood : 53 % → 74 %

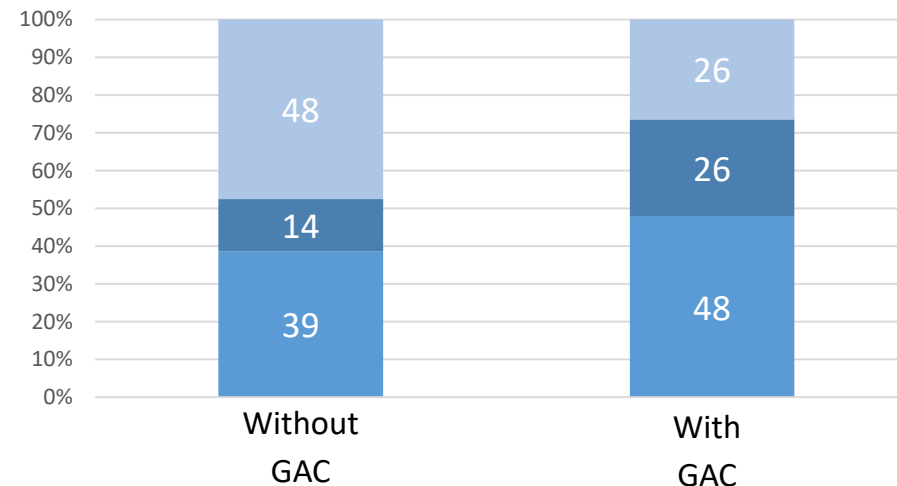
✓ Individual : 39 % → 48 %

*Decrease in consumption peaks*

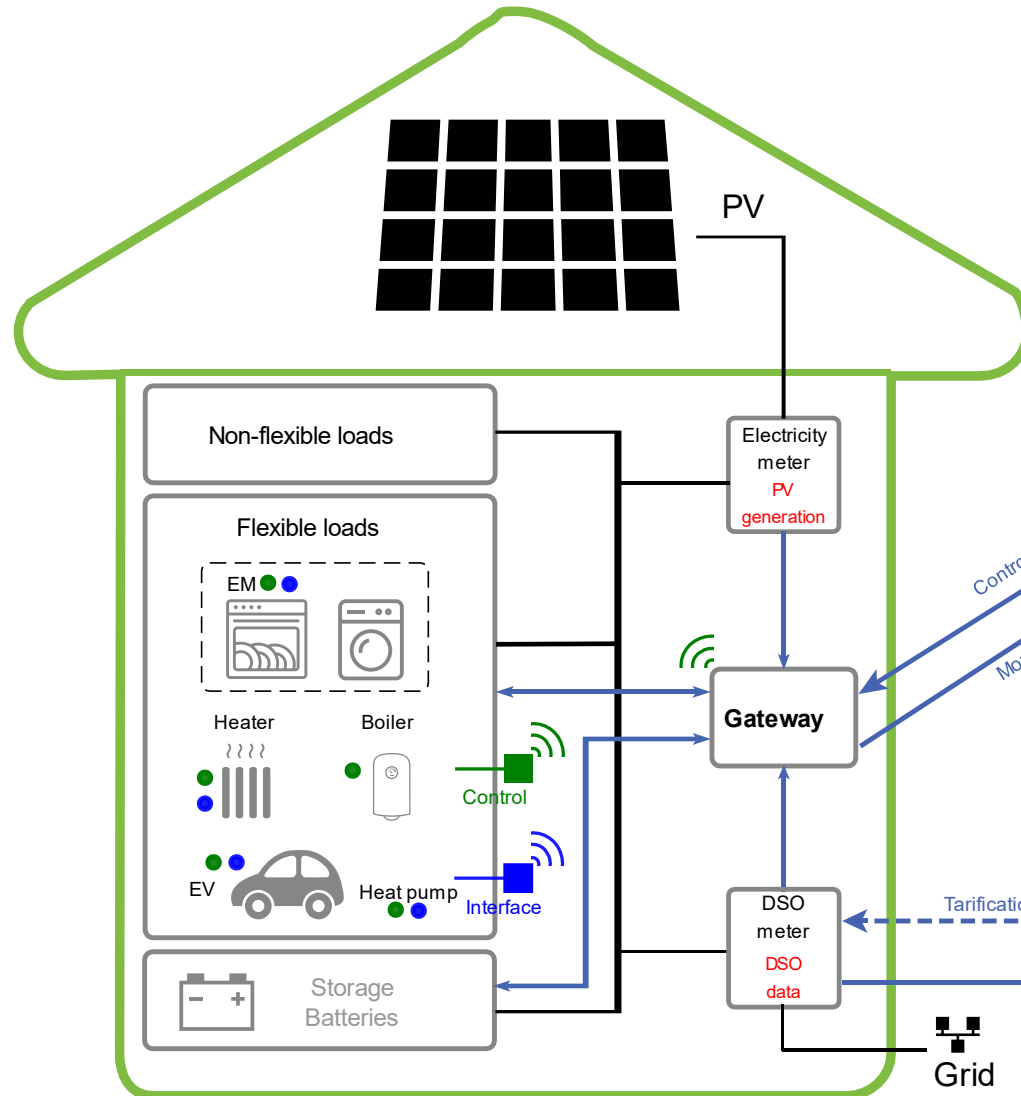
*(individual and neighborhood)*



Autoconsumption (+10 years situation)



# Solution architecture



- Aggregation
- Monitoring
- Optimization
  - Tariff incentives
  - Flexibility
- Facilitation of flexibility activation

- Flexibility demands
- Congestion checks

# What are we looking for?

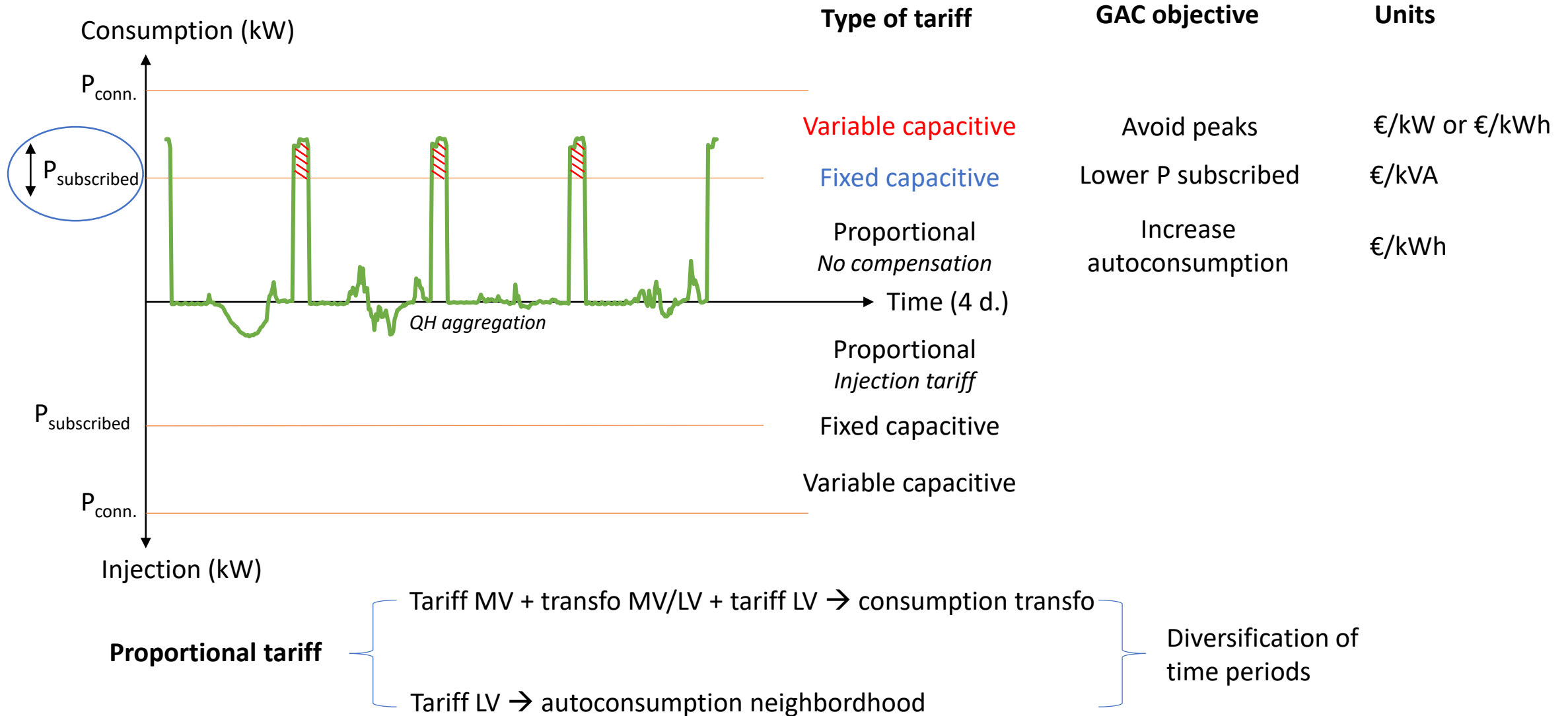
- Additional services we could include in our offer
  - *Centralised and decentralised batteries, blockchain*
- Additional playgrounds to test our solutions & more
  - ERA-NET project, H2020, ...



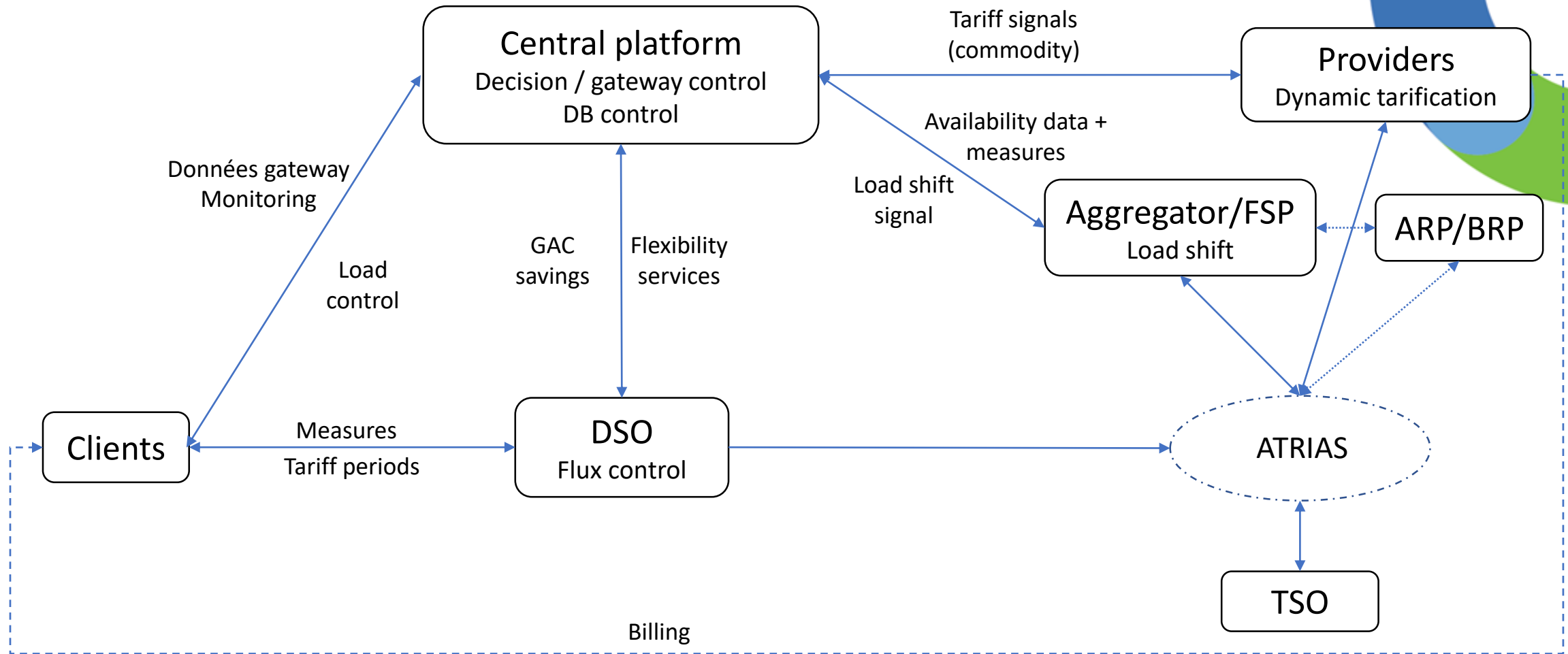


# BACK-UP SLIDES

# DSO – Tariff incentive?



# Global scheme



# IT ARCHITECTURE

